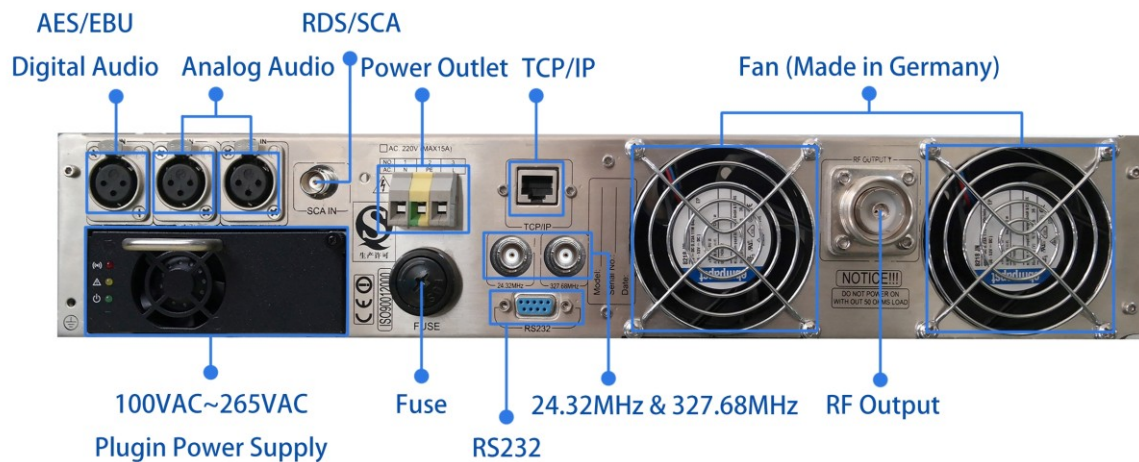
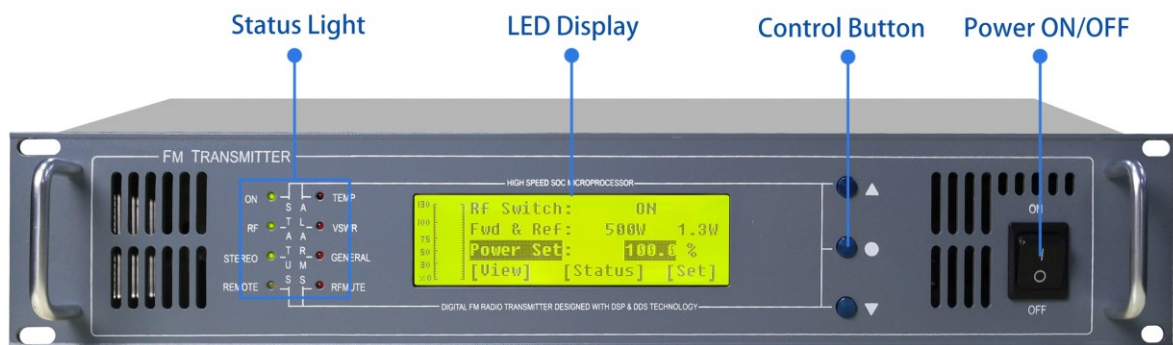


## ZHC618F-500W Compact FM Stereo Transmitter

This transmitter uses a simple design concept. The 500W FM stereo transmitter's exciter and power amplifier, output filter, switching power supply are installed in a 2U high 19-inch standard chassis, reducing the common components Connection cable for higher reliability and easier operation.

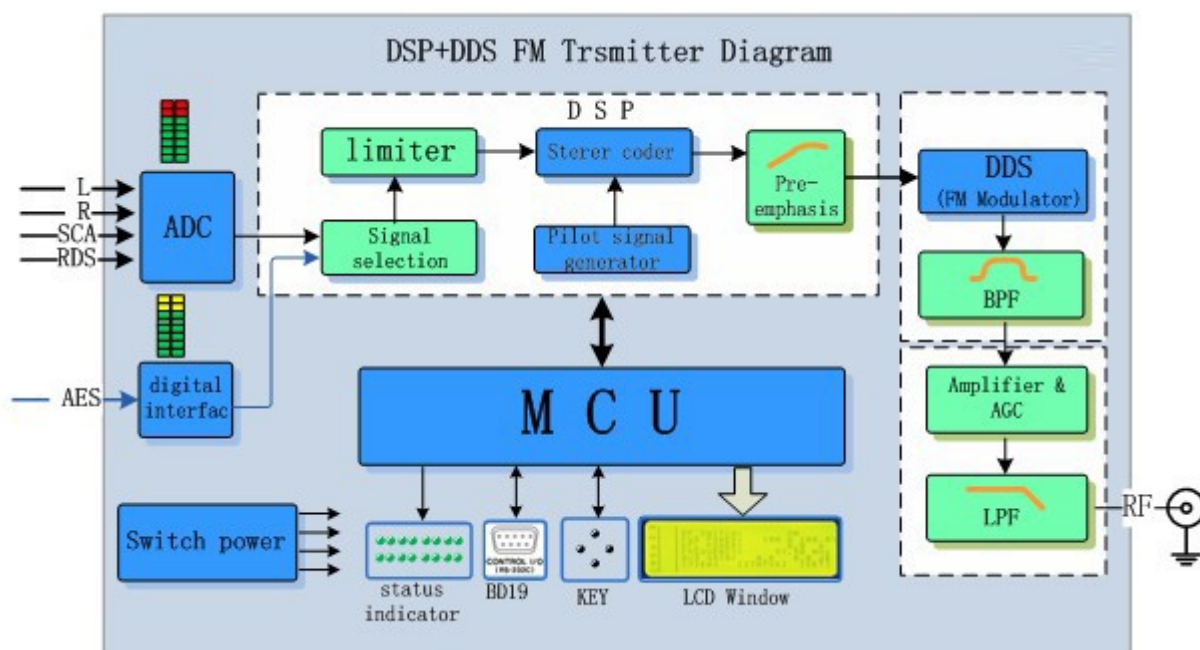
It's using the latest DSP + DDS full digital technology of the stereo FM exciter, the technical specifications of the whole machine are unparalleled, achieving close to CD sound quality hearing effect. Large size radiator and 2 original German high-speed, long-life fans are used to ensure that the transmitter works in a reliable low temperature state. Taiwan original Meanwell wide range switching power supply. High reliability, high performance, easy operation and low price.



## FEATURES

1. Compact design, integrated structure, high reliability and easy operation.
2. The whole process of digital processing (DSP + DDS), to achieve the perfect hearing effect close to CD sound quality.
3. Analog audio and digital audio (AES / EBU) can be input at the same time, digital audio has priority.
4. Provide the most complete remote control telemetry interface and interface protocol.
5. Perfect alarm and protection functions for over current, over voltage, over temperature, over power, and excessive standing wave ratio.
6. Large screen LCD displays working parameters in real time.
7. With TCP / IP, SMS, RS232 communication interface, computer management and monitoring are available
8. High-quality stainless steel, 2U, 19-inch standard case.

## ZHC618F-500W FM Transmitter DIAGRAM



## Technical Specifications:

- |                           |  |
|---------------------------|--|
| 1. Frequency Range:       | 87.0MHz~108.0MHz<br>Setting step 10KHz |
| 2. Output Power           | 0~500W                                 |
| 3. Output power deviation | <± 10%                                 |
| 4. Output power stability | <± 3%                                  |

5. Output Load Impedance	50Ω
6. RF Output Interface	N type or 7/16" female
7. Residual wave radiation	<-70dB
8. Higher harmonics	<-60dB
9. Parasitic amplitude modulation	<-50dB
10. Carrier Frequency Precision	±200Hz
11. Analog Audio Input	-12dBm~+8dBm
12. Audio Input Level Gain	-15dB~+15dB, step 0.1dB
13. Audio Input Impedance	600Ω, Balance, XLR
14. AES / EBU input impedance	110Ω, Balance, XLR
15. AES / EBU input level	0.2 ~ 10Vpp
16. AES / EBU sample rate	30kHz ~ 96kHz
17. SCA Input	Unbalance (optional) BNC connector
18. Pre-emphasis	0μS, 50μS, 75μS (optional)
19. Audio Response	±0.1dB (30Hz ~ 15000Hz)
20. LR channel level difference	<0.1dB (100% modulation)
21. Stereo Separation	≥50dB (30Hz ~ 15000Hz)
22. Stereo S/N ratio	≥70dB (1KHz, 100% modulation)
23. Distortion	<0.1% (30Hz~15000Hz)
24. Cooling mode	Forced Convection
25. Temperature Range:	-5°C~+40°C
26. Relative humidity	<95%
27. Working Altitude	<4500m
28. Power Consumption:	800VA
29. Size	2U, 19-inch standard 545mm×545mm×190mm
30. Weight	20KG