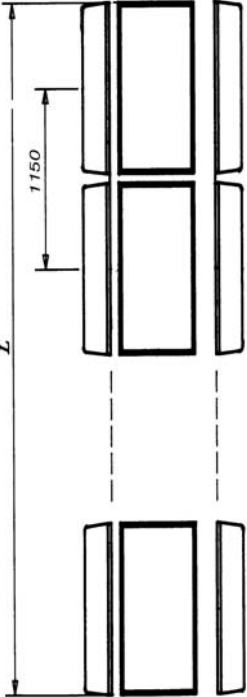


## THE 4-DIPOLES ANTENNA RADIATION SYSTEMS

### ELECTRICAL DATA

<b>Frequency range</b>	470 ÷ 860MHz
<b>Impedance</b>	50Ohm
<b>Connector</b>	3-1/8" EIA flange
<b>Max. power</b>	10kW
<b>VSWR</b>	≤1.07 in the operating channels after tuning
<b>Polarization</b>	Horizontal
<b>Gain</b>	See in the table
<b>Horizontal Pattern</b>	Any type according to requirement
<b>Vertical Pattern</b>	Null fill and beam tilt under request



No. of bays	Panels per bay	Gain*		Weight kg	Antenna height L m	Windload kg (v=150km/h)
		dB	times			
2	4	9.1	8.2	104	2.15	288
3	4	10.8	12	156	3.30	433
4	2	15.3	34	104	4.45	384
	3	13.5	22.6	156		506
	4	12.3	17	208		577
6	2	17	50.6	156	6.75	576
8	1	21.3	136.4	104	9.05	524
	2	18.3	68.2	208		768

\* Referred to  $\lambda/2$  dipole .Attenuation of the internal cabling and the gain-decrease in case of null fill in the vertical radiation pattern are not considered.

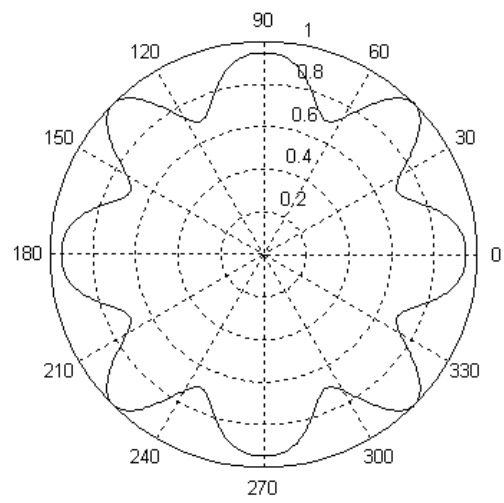
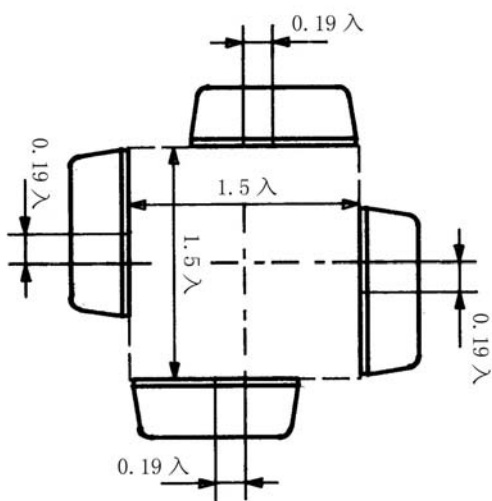
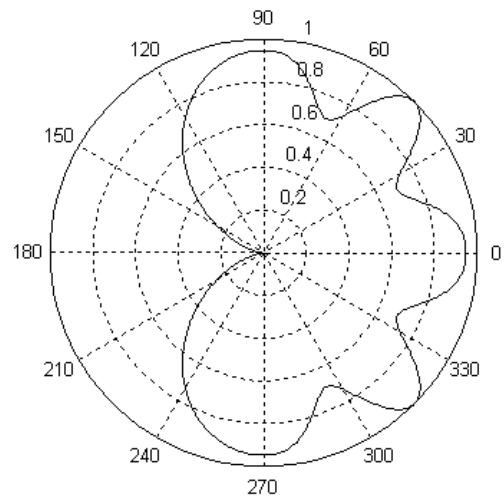
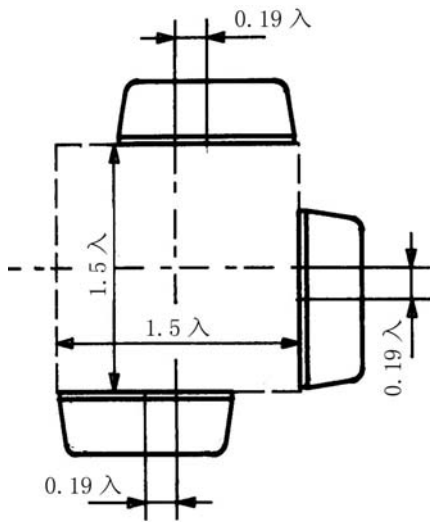
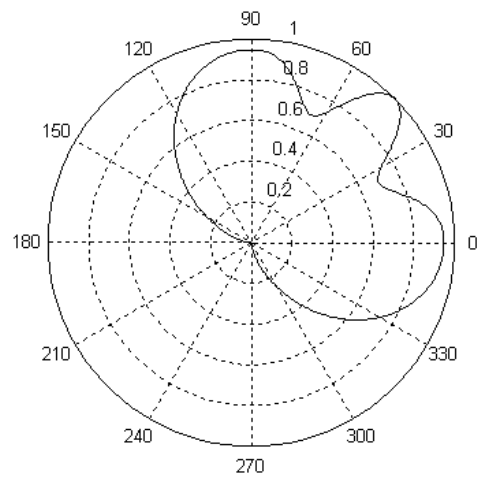
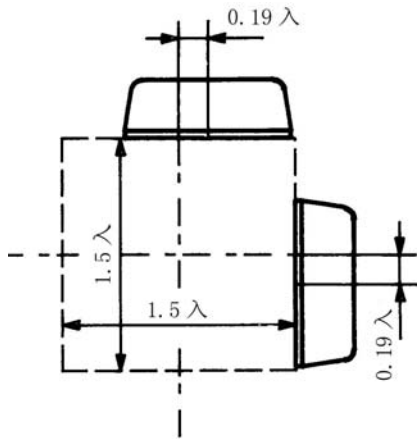
Approximate values for gain decrease:

cable attenuation: 0.2-0.5dB

null fill: 0.3-0.8dB

**HORIZONTAL PATTERNS  
WITH OFFSET 2, 3 AND 4 FACES**

**AT 665 MHz**



# VERTICAL PATTERNS

