

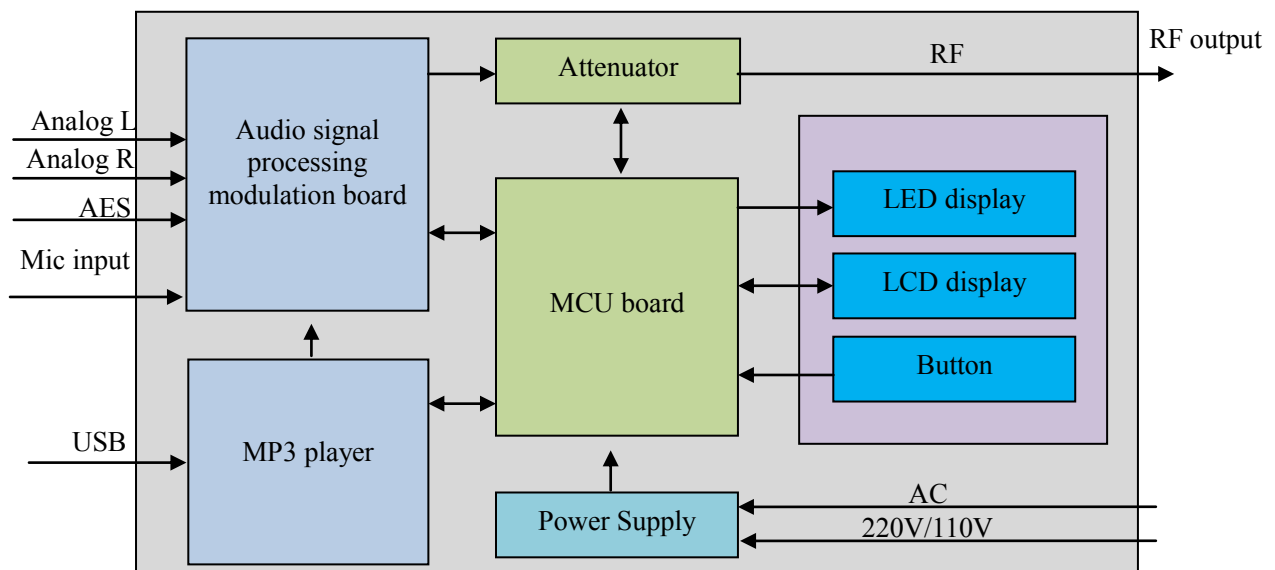
ZHC368M Emergency Broadcast Processor



1. Overview

The emergency plug-in processor has a built-in high-quality microphone preamplifier, a switchable phantom power supply and a digital FM modulator, and a U-disk jack to play MP3 audio signals. When you need to insert an emergency broadcast signal, just press the emergency broadcast button, and the emergency broadcast processor will immediately output the FM radio frequency signal to the RF input port of the near-end machine. At this time, all 16 FM channels will insert the emergency broadcast signal.

2. Diagram



3. Technical Specifications

- Working frequency band: 87~108MHz
- Modulation method: digital FM modulation
- Control method: manual switch
- Remote control: RS232/RJ45
- RF output level: -30dBm~+10dBm continuously adjustable
- Output impedance: 50Ω
- RF output connector BNC50KY-5
- Audio frequency response is better than 0.1dB, 30Hz~15KHz
- Distortion <0.1% 30Hz~15000Hz
- S/N ratio>70dB
- Stereo separation>50dB, 30Hz~15KHz
- Power supply voltage AC 90V~AC26V
- Chassis size 19 inches, 1U (484mm×305mm×44mm)
- The weight of the whole machine is 4kg
- Operating environment temperature -5℃~+45℃
- Relative humidity <95%