

ZHC518D-100W DVB-T2 Transmitter



Features:

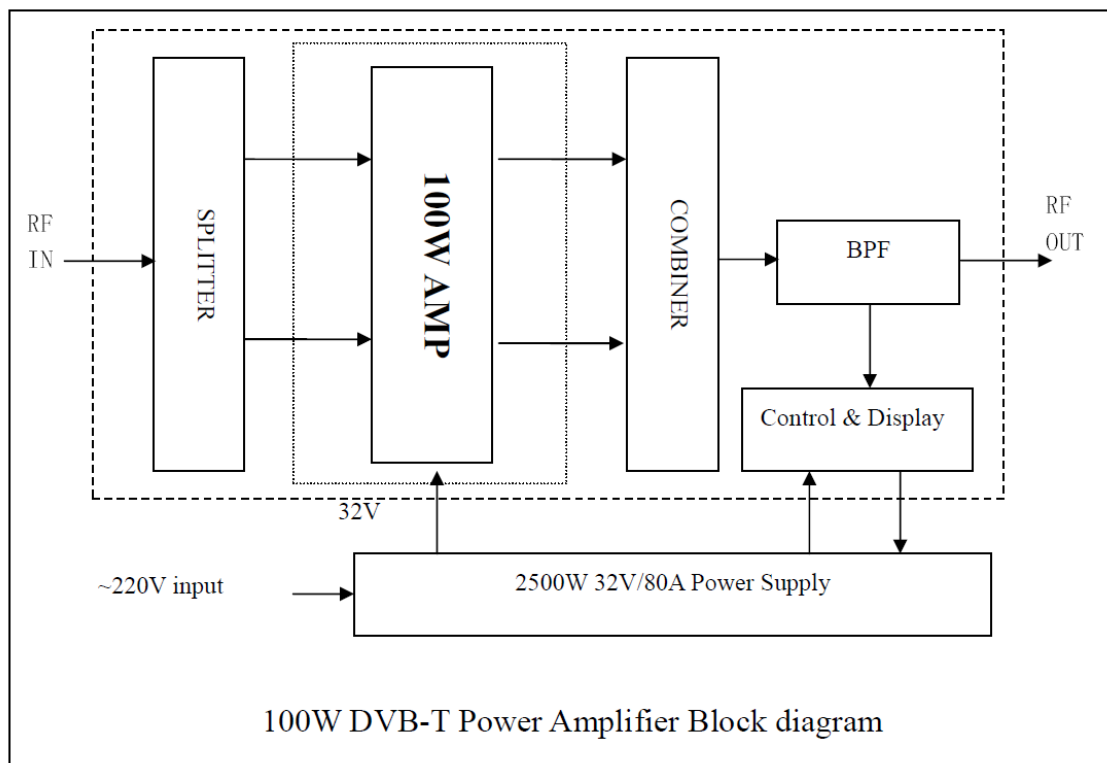
- All solid-state digital TV transmitter, bandwidth is 6-8MHz.
- Pre-distortion correction, dual-exciters switch automatically.
- High Linearity LDMOS Power Amplifier, high-gain power amplifier module, parallel switching power supply, it is a high-efficiency transmitter.
- Telemetry and remote control by computer, web-based interface and software.
- Good man-machine interface, full automatic switch the machine with one key.
- Multi protection (over voltage, over current, overheating, large standing-wave ratio ...)high reliability, 24 hours continuous works.

Technical Specifications:

- | | |
|-------------------------------|---|
| 1. Working frequency: | VHF/UHF |
| 2. Channel bandwidth: | 8MHz |
| 3. Output power: | 100W |
| 4. Output impedance: | 50Ω |
| 5. Output interface: | 7/16" |
| 6. Output load return loss: | Normal operation: -32dB
Allowed operation: -20dB |
| 7. Power input level: | 0dBm |
| 8. Amplifier input impedance: | 50Ω |
| 9. Amplifier input interface: | N" |
| 10. Useless transmission: | ≤-60dB |
| 11. Band fluctuations: | ±0.5dB |
| 12. Band shoulder: | better than 36dB |
| 13. MER: | better than 30dB |
| 14. Size: | 820mm×570mm×390mm |

15.Weight: 45KG

ZHC518D-100W DVB-T Transmitter Block Diagram



ZHC518D-100W DVB-T Transmitter Block Diagram

