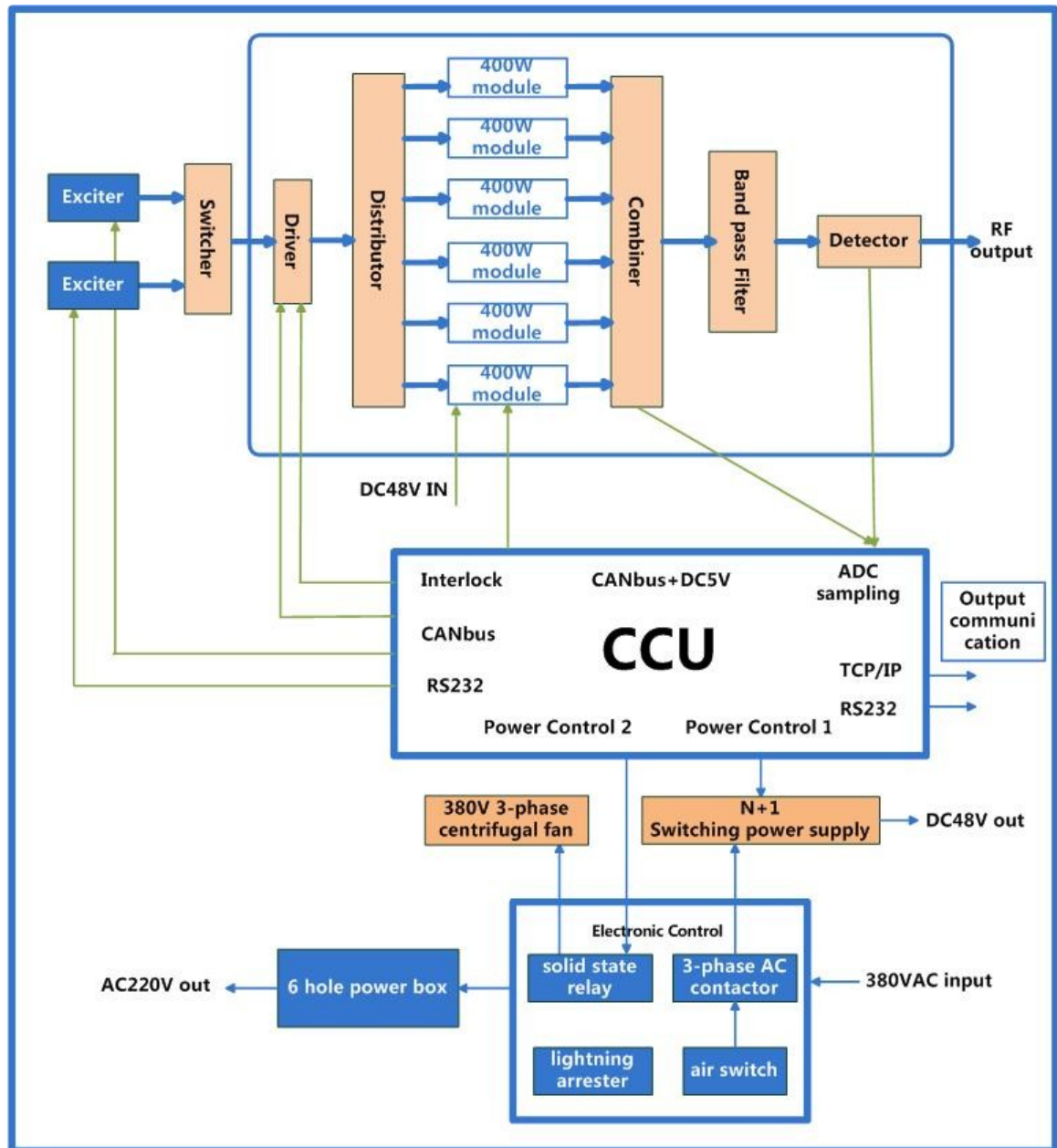


## 2KW Digital TV Transmitter

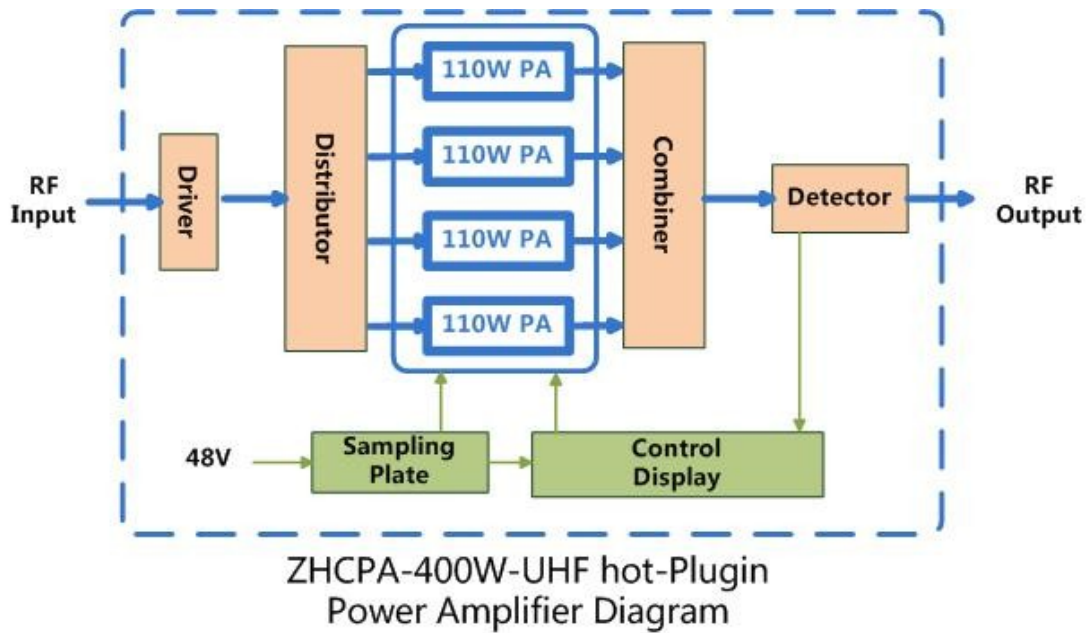


**Features:**

- All solid-state digital TV transmitter, bandwidth is 6-8MHZ.
- Pre-distortion correction, dual-exciter switch automatically.
- High Linearity LDMOS Power Amplifier, high-gain power amplifier module, parallel switching power supply, it is a high-efficiency transmitter.
- Telemetry and remote control by computer, web-based interface and software.
- Good man-machine interface, full automatic switch the machine with one key.
- Multi protection (over voltage, over current, overheating, large standing-wave ratio ...)high reliability, 24 hours continuous works.



ZHC518D-2000W Transmitter Diagram



## Technical Specifications:

1. Working frequency: VHF/UHF
2. Channel bandwidth: 8MHz
3. Output power: 2KW
4. Output impedance: 50Ω
5. Output interface: Φ80
6. Output load return loss: Normal operation: -32dB  
Allowed operation: -20dB
7. Power input level: 0dBm
8. Amplifier input impedance: 50Ω
9. Amplifier input interface: L16
10. Useless transmission: ≤-60dB
11. Band fluctuations: ±0.5dB
12. Band shoulder: better than 36dB
13. MER: better than 30dB
14. Size: 1840mm×1160mm×870mm
15. Weight: 500KG