

# ZHC338R Professional RDS Encoder

## ➤ Overview

After being used in conjunction with an FM radio transmitter with an RDS interface, each FM radio station can utilize the RDS subcarrier for one-way wireless data transmission.

After connecting to a computer, this device can send RDS data that meets the standards, including radio station names, date and time, text messages, custom data, etc; When used for logo generation and text transmission, it supports independent operation from the computer after completing the sending.

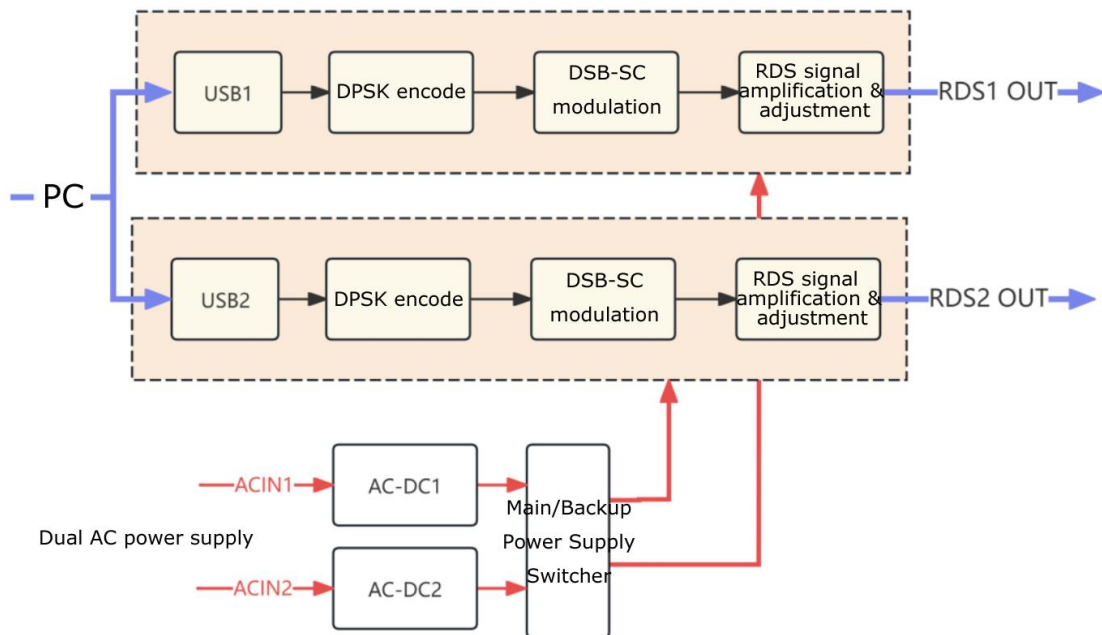
## ➤ Product Photo



## ➤ Features

- Compatible with RDS international standards EBU3244E and EN50067.
- Built in two completely independent RDS encoding modules (optional).
- It can work independently without a PC (used when a logo is generated).
- Dual power supply, capable of automatic switching.
- Adopting USB-B interface for parameter setting, the connection is firm and reliable.
- 19 inch standard chassis, can be mounted on standard racks.

## ➤ Diagram



## ➤ Technical Specifications

- ① Encoding method: DPSK
- ② Modulation method: DSB-SC
- ③ Data rate: 1187.5 bit/s  $\pm$  0.125 bit/s
- ④ Center frequency: 57 KHz  $\pm$  6 Hz
- ⑤ Modulation bandwidth:  $\pm$  2.4 KHz
- ⑥ RDS output level: adjustable from 0 to 1200mVpp
- ⑦ Output impedance: <100  $\Omega$
- ⑧ Output connector: BNC (shell grounded)
- ⑨ Computer connector: USB-B
- ⑩ Working temperature: - 40 $^{\circ}$ C $\sim$ 50 $^{\circ}$ C
- ⑪ Power supply: Dual 100V $\sim$ 265VAC, 50  $\pm$  10Hz
- ⑫ Device power consumption: 5VA
- ⑬ Dimensions: 19 inches, height 1U, depth 300mm
- ⑭ Weight: 2.3 Kg